

DS-KIS702

Video Intercom Two-Wire Network Bundle

HIKVISION



Key Feature

- Plug & play two-wire and IP based video intercom kit
- User-friendly and hands-free indoor monitor with 7-inch touch screen
- Metal outdoor panel, waterproof, IP65 rating
- 2 Mega Pixel HD fisheye camera with night vision and 180° wide viewing angle
- Receives video call on mobile App anywhere, anytime
- Supports live view of up to 16 IP cameras (ONVIF compatible)

Approval

Indoor Station

| | |
|-------------|---|
| CE-EMC | a. EN 55032:2015 b. EN 61000-3-2:2014 c. EN 61000-3-3:2013 d. EN 50130-4:2011 +A1:2014 |
| CE-LVD | EN 60950-1:2006 + A11:2009 + A1:2010 + A12:2011 + A2:2013 |
| CE-RED | a. EN 201 489-1 V2.1.1, EN 301 489-17 V3.1.1 b. EN 300 328 V2.1.1, EN 62311:2008 |
| CB | IEC 60950-1:2005 (Second Edition) + Am 1:2009 + Am 2:2013 |
| FCC-SDOC | 47 CFR Part 15, Subpart B |
| FCC-ID | a. 47 CFR Part 15, Subpart C |
| C-TICK(EMC) | AS/NZS CISPR 32:2015 |
| UL | UL 60950-1 & CAN/CSA C22.2 No. 60950-1-07, Information Technology Equipment – Safety – Part 1: General Requirements |
| IC (EMC) | a. ICES-003:Issue 6 |
| ROHS | 2011/65/EU |
| REACH | Regulation (EC) No 1907/2006 |
| WEEE | 2012/19/EU |

Door Station

| | |
|-------------|---|
| CE-EMC | a. EN 55032:2015 b. EN 61000-3-2:2014 c. EN 61000-3-3:2013 d. EN 50130-4:2011 +A1:2014 |
| CE-LVD | EN 60950-1:2006 + A11:2009 + A1:2010 + A12:2011 + A2:2013 |
| CB | IEC 60950-1:2005 (Second Edition) + Am 1:2009 + Am 2:2013 |
| FCC-SDOC | 47 CFR Part 15, Subpart B |
| C-TICK(EMC) | AS/NZS CISPR 32:2015 |
| UL | UL 60950-1 & CAN/CSA C22.2 No. 60950-1-07, Information Technology Equipment – Safety – Part 1: General Requirements |
| ROHS | 2011/65/EU |
| REACH | Regulation (EC) No 1907/2006 |
| WEEE | 2012/19/EU |

Video Audio Distributor

| | |
|--------|---|
| CE-EMC | a. EN 55032:2015 b. EN 61000-3-2:2014 c. EN 61000-3-3:2013 d. EN 50130-4:2011 +A1:2014 |
| CE-LVD | EN 60950-1:2006 + A11:2009 + A1:2010 + A12:2011 + A2:2013 |
| CE-RED | a. EN 201 489-1 V2.1.1, EN 301 489-17 V3.1.1 b. EN 300 328 V2.1.1, EN 62311:2008 |
| CB | IEC 60950-1:2005 (Second Edition) + Am 1:2009 + Am 2:2013 |

| | |
|-------------|---|
| FCC-SDOC | 47 CFR Part 15, Subpart B |
| FCC-ID | a. 47 CFR Part 15, Subpart C |
| C-TICK(EMC) | AS/NZS CISPR 32:2015 |
| UL | UL 60950-1 & CAN/CSA C22.2 No. 60950-1-07, Information Technology Equipment – Safety – Part 1: General Requirements |
| IC (EMC) | a. ICES-003:Issue 6 |
| ROHS | 2011/65/EU |
| REACH | Regulation (EC) No 1907/2006 |
| WEEE | 2012/19/EU |

Specification

| Indoor Station | |
|----------------------------|---|
| System parameters | |
| Operation system | Embedded Linux operation system |
| Processor basic frequency | 1 GHz |
| Memory | 128 MB |
| Flash | 16 MB |
| Display parameters | |
| Display screen | 7-inch TFT LCD |
| Display resolution | 1024 × 600 |
| Operation method | Capacitive touch |
| Audio parameters | |
| Audio input | Built-in omnidirectional microphone |
| Audio output | Built-in loudspeaker |
| Volume | Local or software control |
| Audio compression standard | G.711 U, G.711 A |
| Audio compression Rate | 64 Kbps |
| Audio quality | Noise suppression and echo cancellation |
| Network parameters | |
| Wired network | Two-wire network |
| Wireless network | Wi-Fi 802.11b/g/n |
| Protocol | TCP/IP, SIP, RTSP |
| Interfaces | |
| Network interface | Two-wire interface |
| RS-485 | 1 |
| Alarm input | 8 zones alarm input |
| Relay output | 2 |
| TF card | Support, Max. 32 GB |
| Extended Application | |
| Mobile client | Support |
| Indoor call elevator | Support |
| IPC | Support |
| General | |
| Power supply mode | Two-wire |
| Power consumption | ≤ 6 W |
| Working temperature | -10 °C to 50 °C (14 °F to 122 °F) |
| Working humidity | 10% to 90% |
| Dimensions (W × H × D) | 200 mm × 140 mm × 15.1 mm (7.87" × 5.51" × 0.59") |

Door Station

| System parameters | |
|----------------------------|--|
| Processor | Embedded microcontroller |
| Operation system | Embedded Linux operation system |
| Operation mode | One touch key |
| Video Parameters | |
| Camera | 2MP super definition camera |
| Night vision | Support low light and IR light supplement mode |
| Backlight compensation | Support |
| Digital noise reduction | Support |
| WDR | True WDR |
| Field of view | Horizontal 180°, vertical 96° |
| Video Compression Standard | H.264 |
| Stream | Main stream: 1080p@30fps, 720p@30fps (configurable); sub stream: D1 |
| Resolution | Main stream: 1920 × 1080, (720p configurable); sub stream: 720 × 480 |
| Motion detection | Support |
| Flash-avoid frequency | 50 Hz, 60 Hz |
| Audio parameters | |
| Audio input | Built-in omnidirectional microphone |
| Audio intercom | Full-duplex two-way audio intercom |
| Audio output | Loudspeaker, 20 cm sound effect > 80 db |
| Audio compression standard | G.711 U |
| Audio compression Rate | 64 Kbps |
| Audio quality | Noise suppression and echo cancellation |
| Tamper | |
| Tamper | 1 |
| Interfaces | |
| RS-485 | 1 (inter-module connection) |
| Alarm input | 1 |
| General | |
| Protection level | IP 65 |
| Button | 1 |
| Power input | 24 VDC two-wire power supply (< 16 W) |
| Working temperature | -40 °C to 60 °C (-40 °F to 140 °F) |
| Working humidity | 10% to 90% |
| Installation | Wall mounting |

Video Audio Distributor

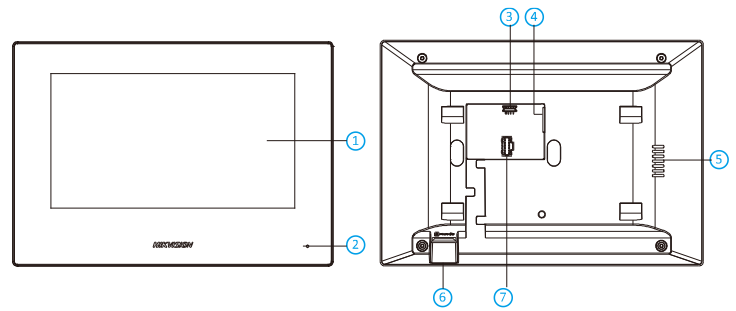
Interfaces

| | |
|--------------------|--------|
| Network interface | 1 RJ45 |
| Two-wire interface | 4 |
| Signal indicator | 4 |
| Power indicator | 1 |
| Reset | 1 |

General

| | |
|-------------------------|-------------------------------------|
| Power supply | Two-wire mode |
| Power consumption | CH1 to CH3 < 6 W, CH4 < 8 W |
| Working temperature | -10 °C to +50 °C (14 °F to +122 °F) |
| Working humidity | 10% to 90% |
| Digital noise reduction | Support |

Indoor Station



| No. | Description | No. | Description |
|-----|------------------------------------|-----|--------------|
| 1 | Screen | 5 | Loudspeaker |
| 2 | Microphone | 6 | TF Card Slot |
| 3 | Debugging Port | 7 | Terminals |
| 4 | Network Interface and Power Supply | | |

Available Model

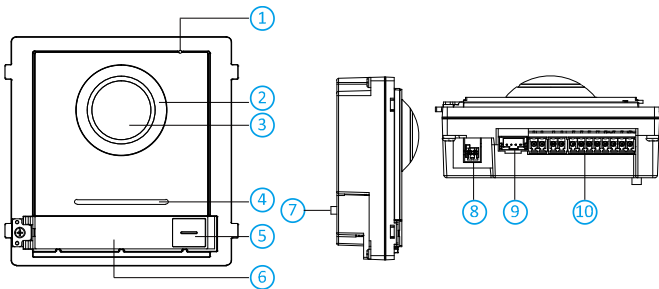
DS-KIS702

Weight

1.9642Kg

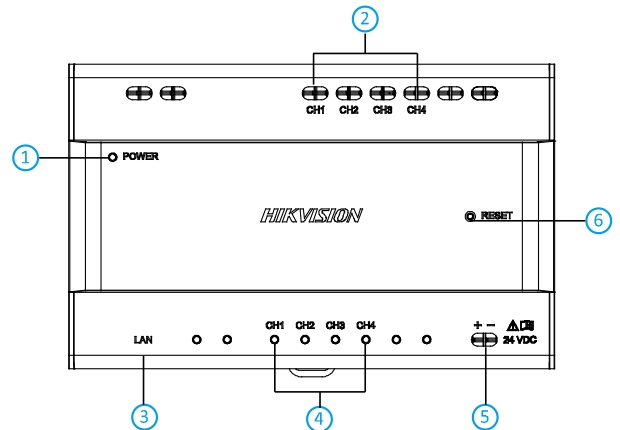
Appearance and Interfaces

Door Station



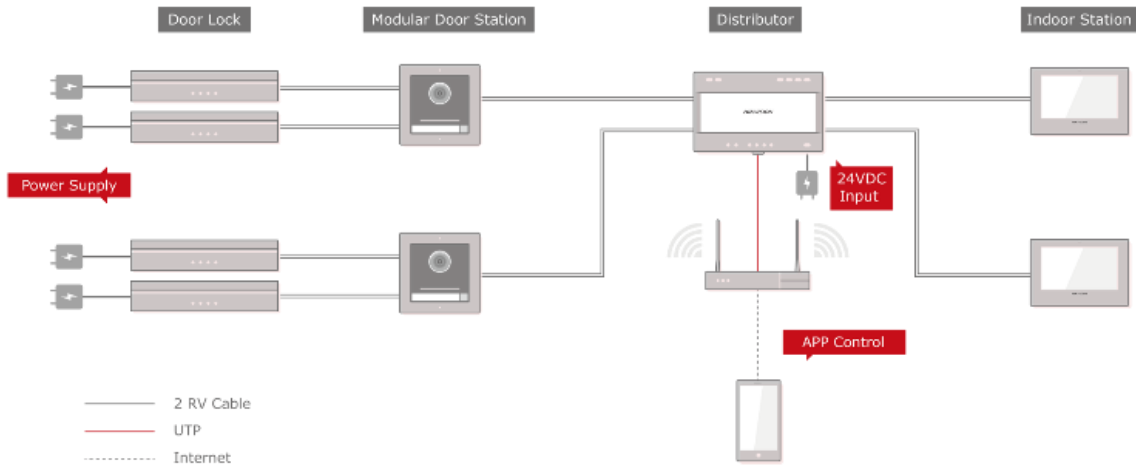
| No. | Description | No. | Description |
|-----|--------------------------------------|-----|--------------------------------------|
| 1 | Microphone | 6 | Nametag |
| 2 | Low Illumination IR Supplement Light | 7 | TAMPER |
| 3 | Built-in Camera | 8 | Two-wire Interface |
| 4 | Loudspeaker | 9 | Module-connecting Interface (output) |
| 5 | Call Button | 10 | Terminals |

Video Audio Distributor



| No. | Description | No. | Description |
|-----|-----------------|-----|-------------------|
| 1 | Power Indicator | 4 | Network Indicator |
| 2 | Terminals | 5 | Power Input |
| 3 | LAN | 6 | Reset |

Typical Application



Distributed by

**HIKVISION®****Headquarters**

No.555 Qianmo Road, Binjiang District,
Hangzhou 310051, China
T +86-571-8807-5998
overseasbusiness@hikvision.com

Hikvision USA
T +1-909-895-0400
sales.usa@hikvision.com

Hikvision Australia
T +61-2-8599-4233
salesau@hikvision.com

Hikvision India
T +91-22-28469900
sales@pramahikvision.com

Hikvision Canada
T +1-866-200-6690
sales.canada@hikvision.com

Hikvision Thailand
T +662-275-9949
sales.thailand@hikvision.com

Hikvision Europe
T +31-23-5542770
sales.eu@hikvision.com

Hikvision Italy
T +39-0438-6902
info.it@hikvision.com

Hikvision Brazil
T +55 11 3318-0050
Latam.support@hikvision.com

Hikvision Turkey
T +90 (216)521 7070- 7074
sales.tr@hikvision.com

Hikvision Malaysia
T +601-7652-2413
sales.my@hikvision.com

Hikvision UK & Ireland
T +01628-902140
sales.uk@hikvision.com

Hikvision South Africa
Tel: +27 (10) 0351172
sale.africa@hikvision.com

Hikvision France
T +33(0)1-85-330-450
info.fr@hikvision.com

Hikvision Kazakhstan
T +7-727-9730667
nikia.panfilov@hikvision.ru

Hikvision Vietnam
T +84-974270888
sales.vt@hikvision.com

Hikvision UAE
T +971-4-4432090
salesme@hikvision.com

Hikvision Singapore
T +65-6684-4718
sg@hikvision.com

Hikvision Spain
T +34-91-737-16-55
info.es@hikvision.com

Hikvision Tashkent
T +99-87-1238-9438
uzb@hikvision.ru

Hikvision Hong Kong
T +852-2151-1761
info.hk@hikvision.com

Hikvision Russia
T +7-495-669-67-99
saleru@hikvision.com

Hikvision Korea
T +82-(0)31-731-8817
sales.korea@hikvision.com

Hikvision Poland
T +48-22-460-01-50
info.pl@hikvision.com

Hikvision Indonesia
T +62-21-2933759
Sales.Indonesia@hikvision.com

Hikvision Colombia
sales.colombia@hikvision.com